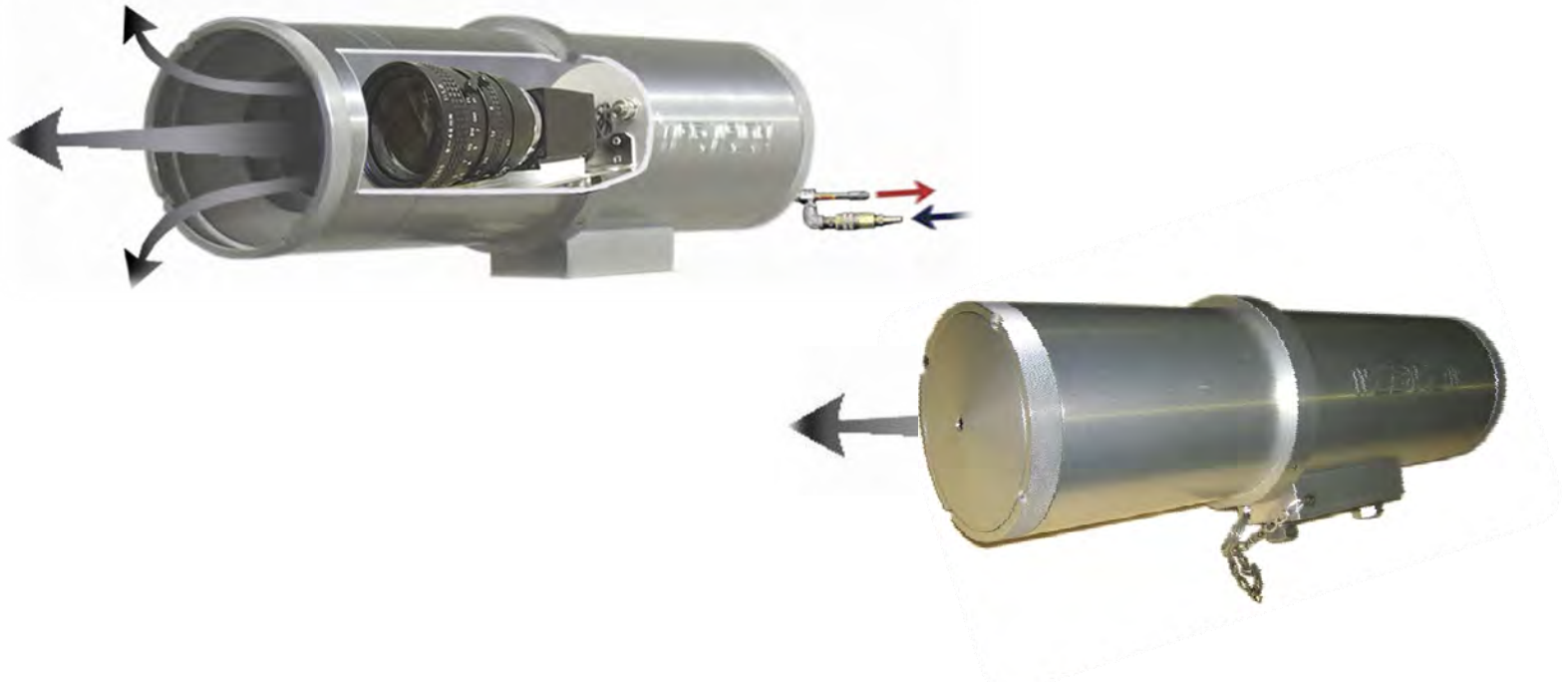


*WebView*TM full featured camera housing with air only effective *CleanRing*TM or *EverClean*TM



Principle – Preventing Buildup: *CleanRing™* and *EverClean™*



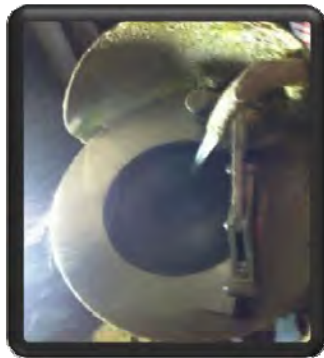
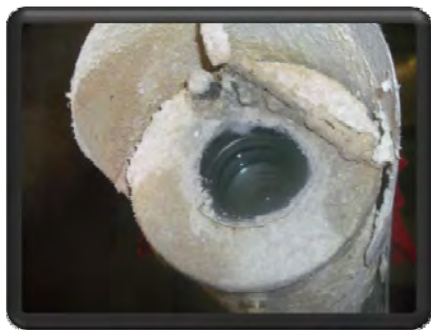
Not Preventing



Preventing



No missed events or No visibility for 50min per day

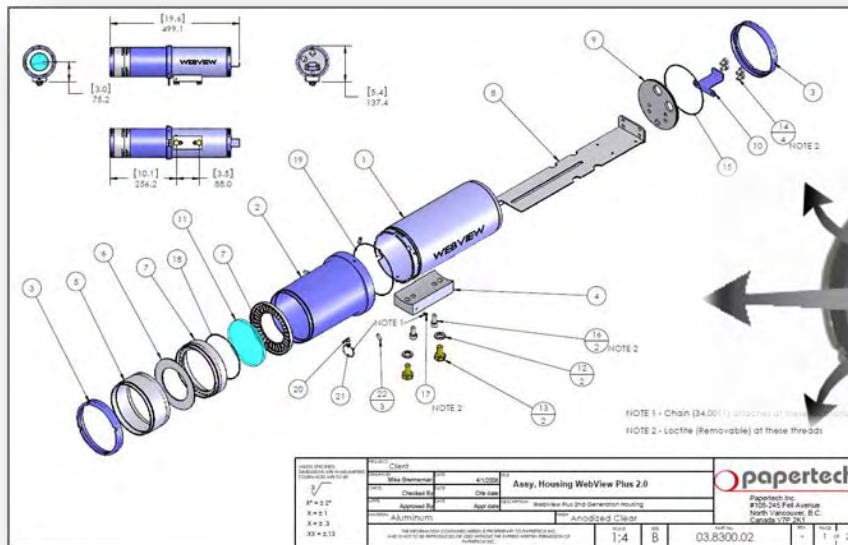


- ✓ Water & wiper on every 5 minutes for 10 seconds
- ✓ This results in $10/300 = 3.3\%$ no visibility
- ✓ This equals 48min in 24 hours of no usable image
- ✓ Cannot use real-time analysis & event detection

- ✓ No visibility loss
- ✓ Real-time analysis always on and all events detected

WebView™ housing with CleanRing™

- ✓ CleanRing is the best air only cleaning solution with full size remote software controlled zoom lens
- ✓ Extensive wind tunnel R&D complete with hundreds of proven installations have shown its effectiveness
- ✓ Camera cooling air is evenly injected through a 360° ring, CleanRing, around lens glass preventing dirt from entering
- ✓ *Plus* glass coated with a non stick shield further preventing debris from sticking to the glass



Client	Aspy, Housing WebView Plus 2.8	<p>Papertech Inc. #106-240 Felt Avenue North Vancouver, B.C. Canada V7P 2N4</p>
Miss Drawn	4/12/09	
Checked by	Chk Date	
Approved by	App Date	
Author/Rev	App/Spec	
Note: This drawing is the property of Papertech Inc. and is to be used only for the project specified. Any other use without the written permission of Papertech Inc. is prohibited.		
Scale	1:4	03.8300.02
Sheet	B	1 of 2

CleanRing versus Wiper + Washer cleaning



1. Use same air as for cooling
2. Camera location freedom – can be above & near sheet
3. Preventive cleaning
4. No moving parts in front of camera – no event missed – real-time analysis always on
5. Simple and reliable
6. Easy installation
7. Smaller and lighter housing
8. Non stick glass coating

1. Complex: wiper, motor, water, solenoid and air
2. Glass allowed to get dirty then wiped
3. Moving parts & water spray in front of lens – missed events
4. Camera cannot be above or near sheet due to water splashes
5. Water must be warm otherwise condensation
6. Higher installation cost: water piping, solenoids, junction boxes
7. Higher maintenance costs: wiper blades, water usage, more parts

Patented EverClean™

- ✓ The best solution for very dirty, wet and hot locations
- ✓ Camera can be located anywhere without any cleaning concerns to maximize image quality
- ✓ No concern with placing over or near the sheet – no water cleaning



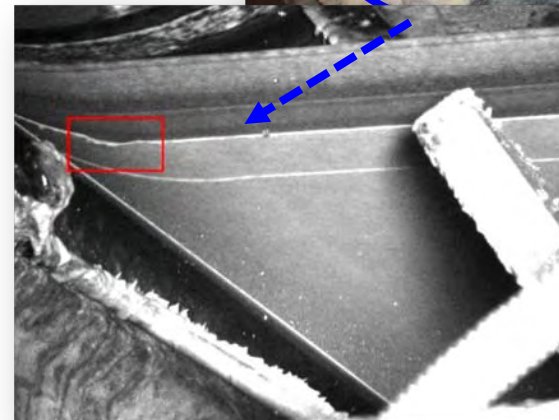
Inside housing pinhole lens and GigE camera

Patented EverClean™

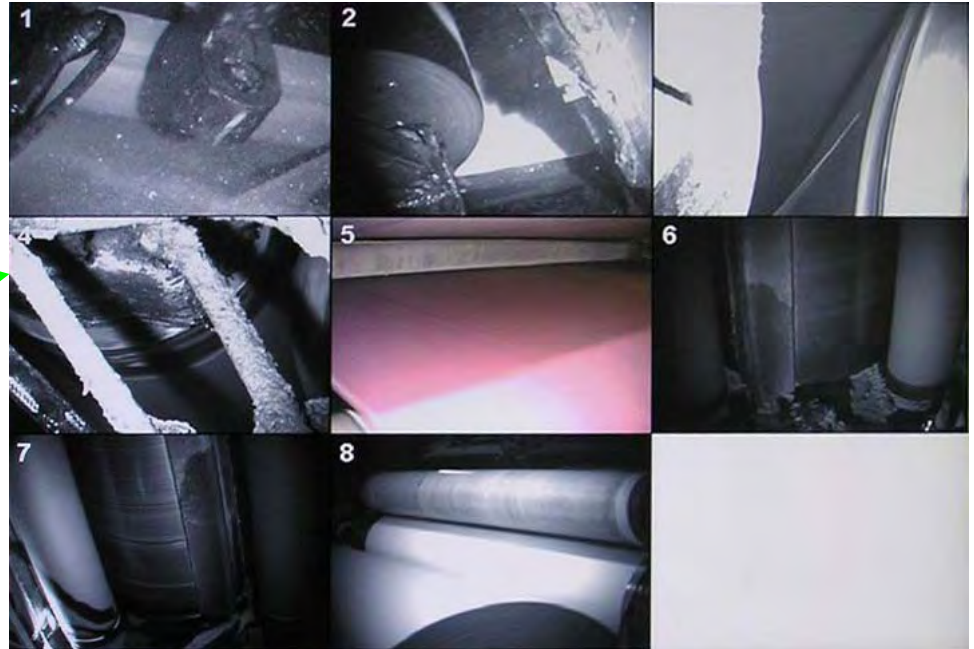
- ✓ Maintains clear view of the process for indefinitely - one year no cleaning guarantee
- ✓ Outperforms any other cleaning solution on the market
- ✓ Only a small amount of instrument air required – 0.2 to 0.4 liters/s
- ✓ Never interrupts the view of the process – image always the same
- ✓ Ideally suited for dirtiest locations with limited/no access during operation



Small opening in middle clear



Patented EverClean: Proven Results



All images on this monitor are captured by EverClean™ camera housings (with the exception of camera #5)

Ideally suited for the dirtiest locations with difficult or limited access during operation.

*PM 20 tissue machine Superintendent reports:
"We haven't had to clean the EverClean since it was installed over 3 months ago. Our other lenses in that application were cleaned daily."*